

F

E

D

C

B

A

4

3

2

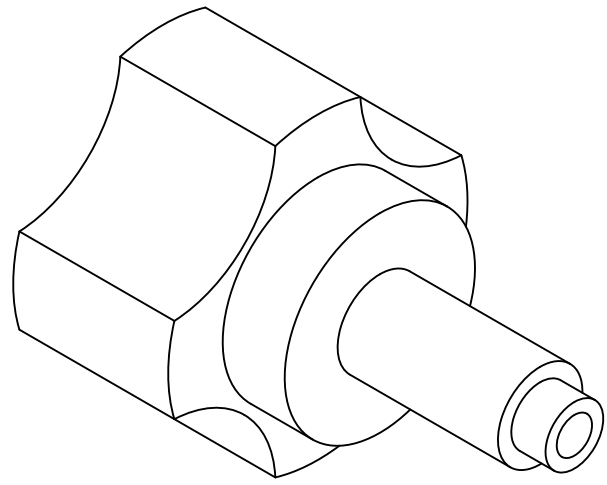
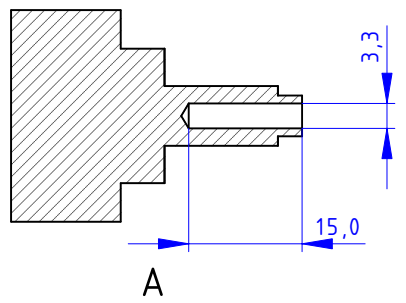
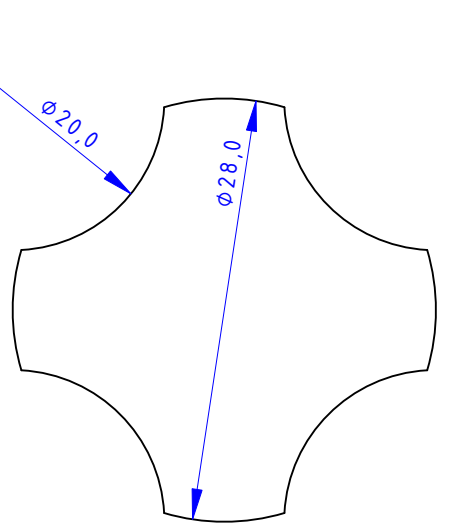
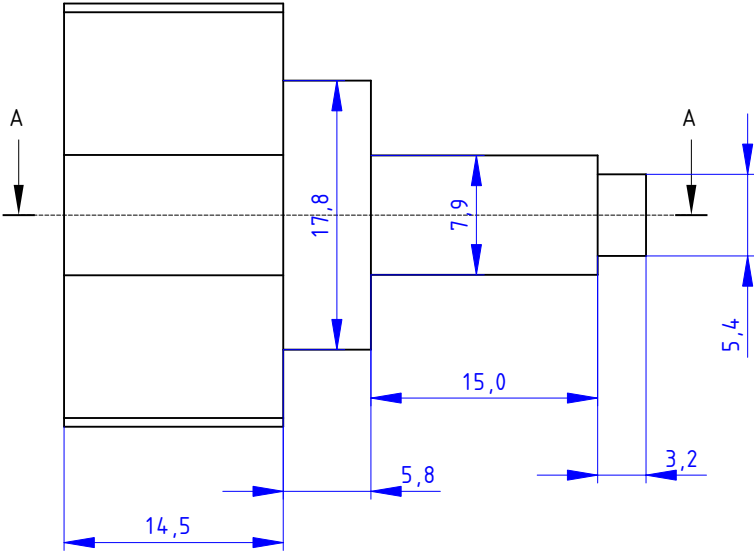
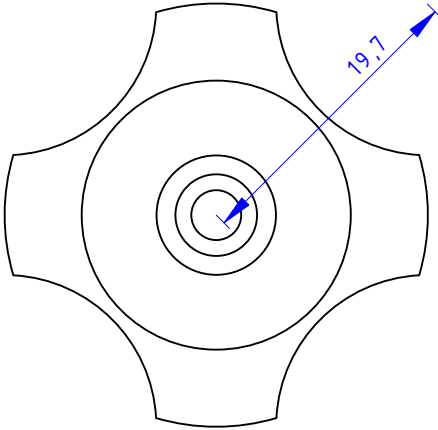
1


4

3

2

1



DESIGNED BY: K. Wicker		Klemmschraube UMI17 Lite		G	—
DATE: 21.01.24		verkürzte Version		F	—
SIZE: A4				E	—
SCALE	WEIGHT (kg)			D	—
DRAWING NUMBER		SHEET		C	—
				B	—
				A	—

This drawing is our property; it can't be reproduced or communicated without our written consent.

F

E

D