

F

E

D

C

B

A

4

4

3

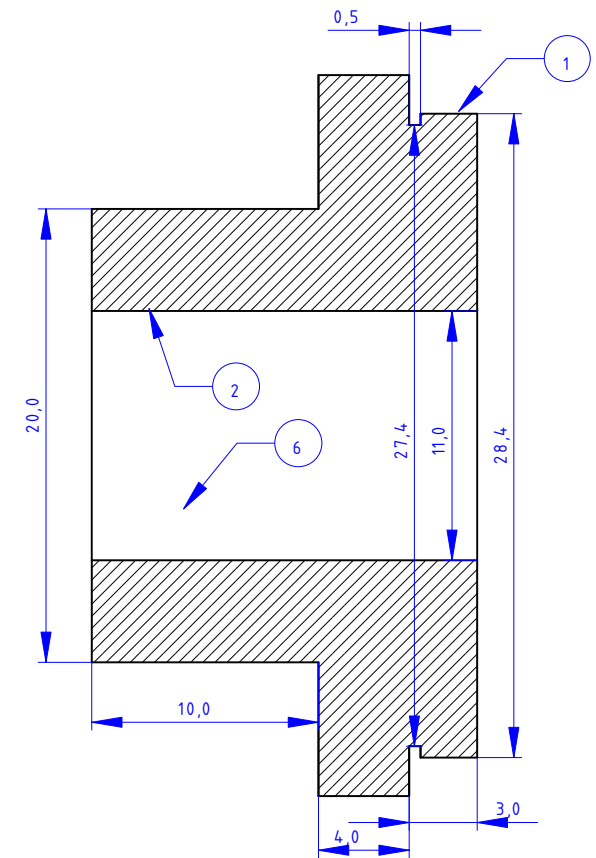
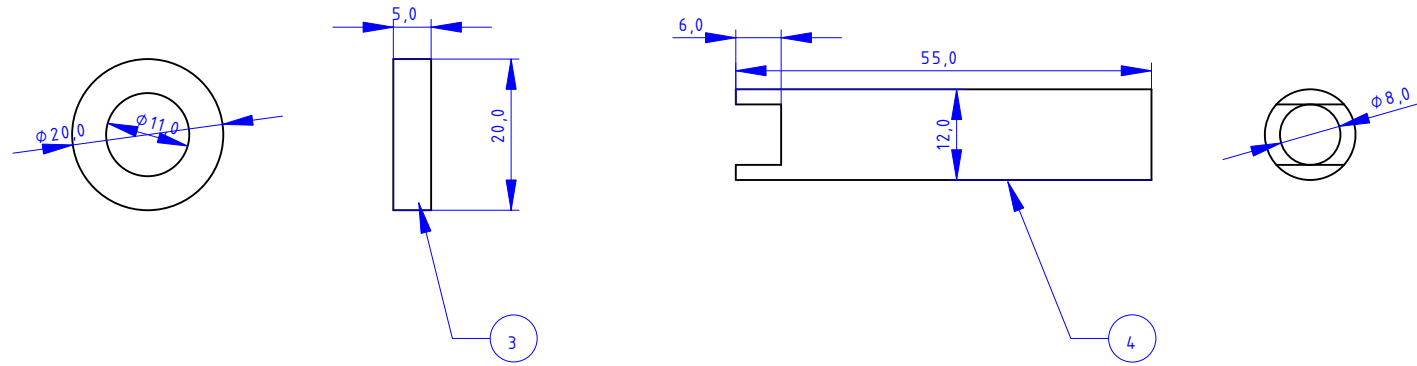
3

2

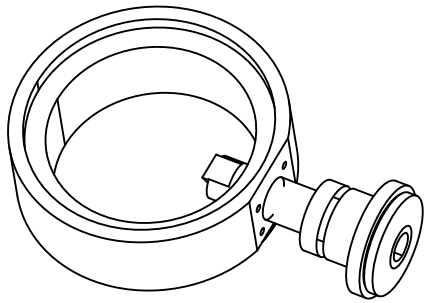
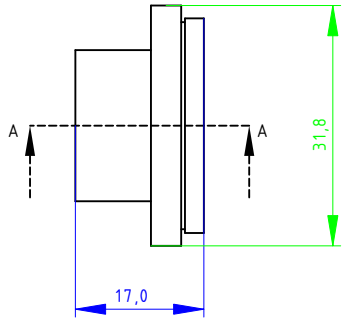
2

1

1



- 1: M28,5x0.5
- 2: M12x1.0
- 3: M12x1.0
- 4: M12x1.0 auf 25mm
- 5: gerändelt
- 6: $V=0,34\text{dm}^3$



DESIGNED BY: K. Wicker		M68-S72 OAG		G	—
DATE: 21.10.2023		Turm		F	—
SIZE A4				E	—
SCALE 1:1	WEIGHT (kg) -			DRAWING NUMBER -	SHEET 2/2
This drawing is our property; it can't be reproduced or communicated without our written consent.				C	—
				B	—
				A	—

F

E

D