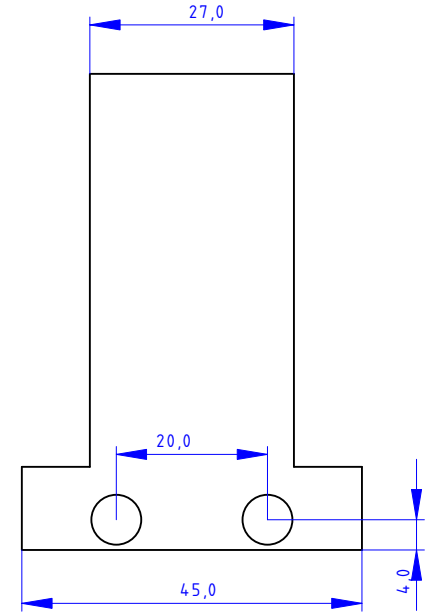
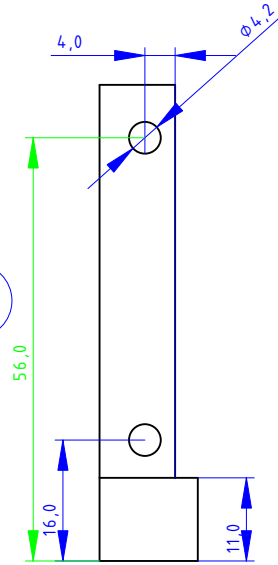



2 tief



DESIGNED BY: K. Wicker		Motoradapter		G	—
DATE: 29.10.2022		AVL Superpolaris		F	—
SIZE A4				E	—
SCALE 1:1	WEIGHT (kg)			D	—
	DRAWING NUMBER V2	SHEET	C	—	
This drawing is our property; it can't be reproduced or communicated without our written consent.				B	—
				A	—