

F

E

D

C

B

A

4

3

2

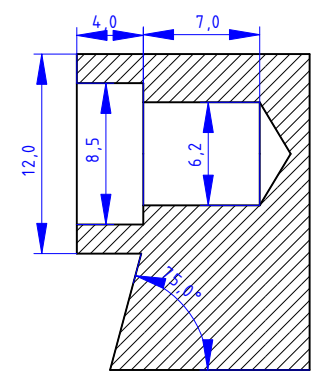
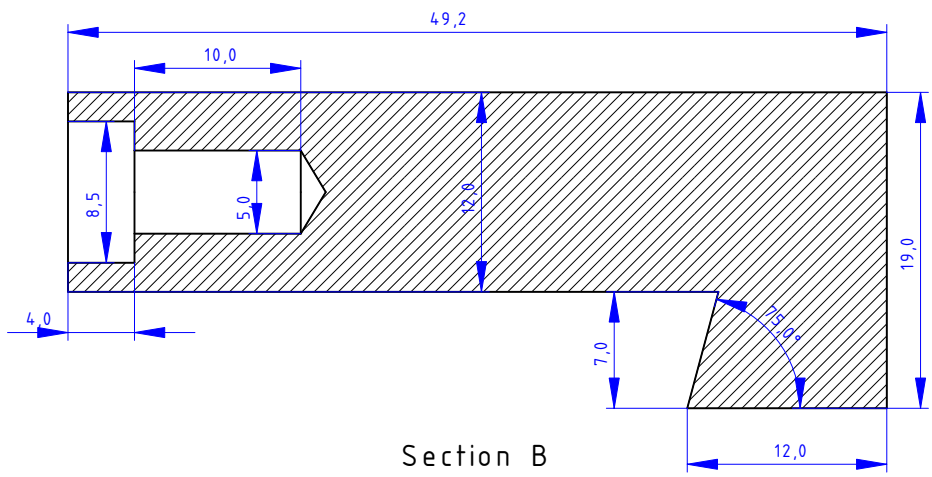
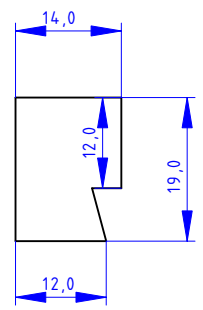
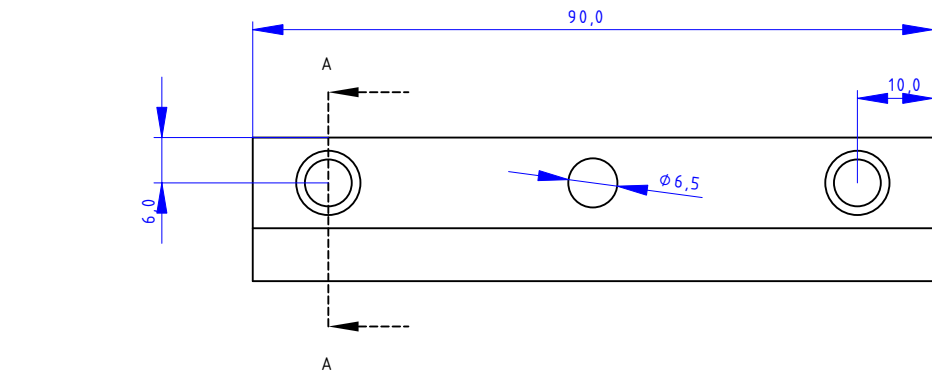
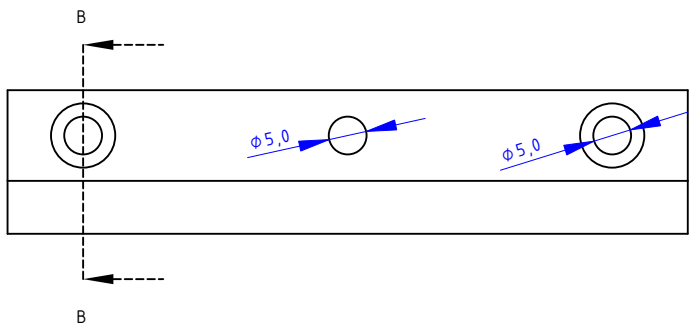
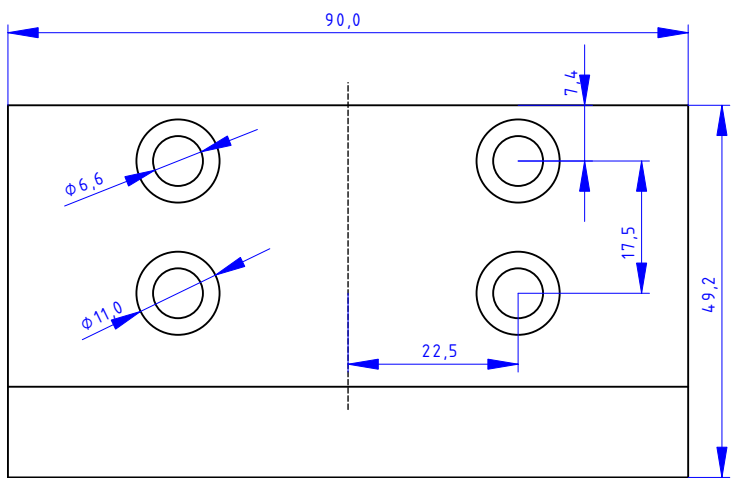
1

4

3

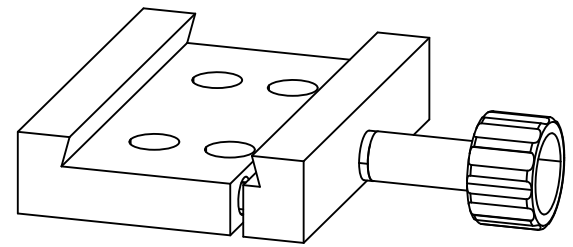
2

1



Section A

Section B



|   |             |                      |       |   |   |
|---|-------------|----------------------|-------|---|---|
| DESIGNED BY:<br><b>K. Wicker</b>  |             | <b>Prismenklamme</b> |       | G | — |
| DATE:<br><b>12.11.2022</b>  |             | AVL Super Polaris    |       | F | — |
| SIZE<br><b>A4</b>   | WEIGHT (kg) | DRAWING NUMBER       |       | E | — |
| SCALE<br><b>1:1</b>   | -           | -                    |       | D | — |
|   |             |                      | SHEET | C | — |
|   |             |                      | -     | B | — |
| This drawing is our property; it can't be reproduced or communicated without our written consent. |             |                      |       | A | — |

F

E

D