

F E D C B A

4

3

2

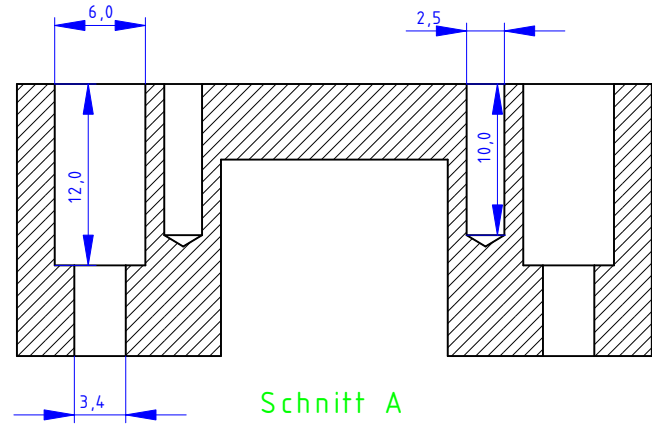
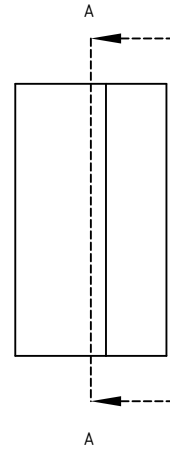
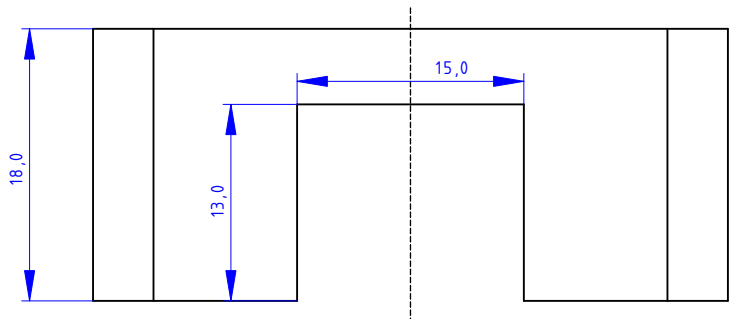
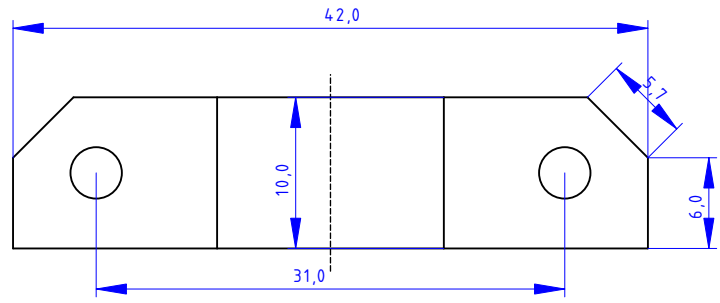
1

4

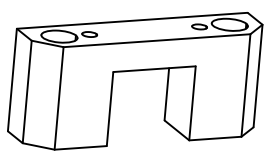
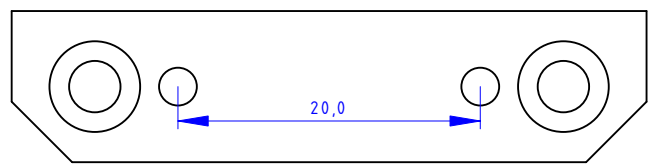
3

2

1



Schnitt A



DESIGNED BY: K. Wicker		Super Polaris Montierung AVL		G	—
DATE: 27.11.2022		RJ-12 Halter		F	—
SIZE A4				E	—
SCALE 2:1		WEIGHT (kg) Weight		D	—
		DRAWING NUMBER Drawing number		C	—
		SHEET Sheet		B	—
This drawing is our property; it can't be reproduced or communicated without our written consent.				A	—



F E D