

F

E

D

C

B

A

4

4

3

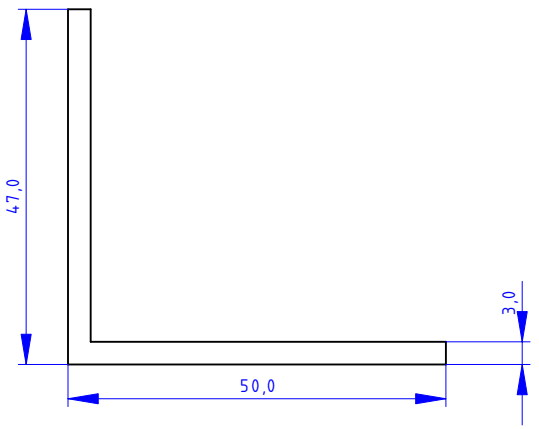
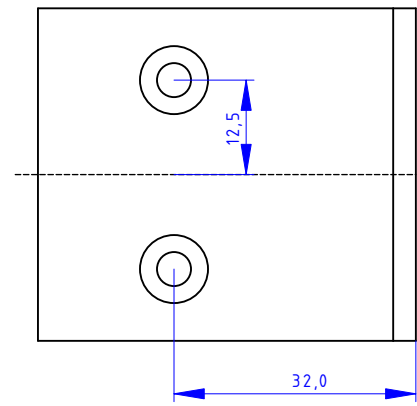
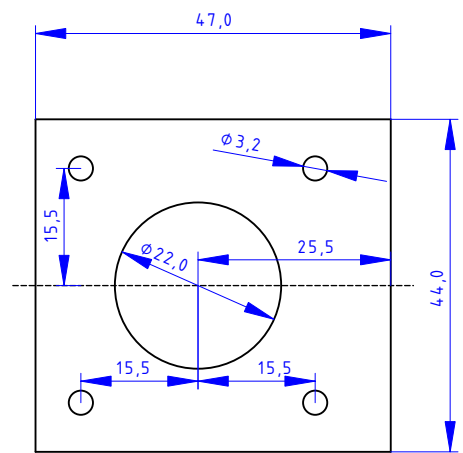
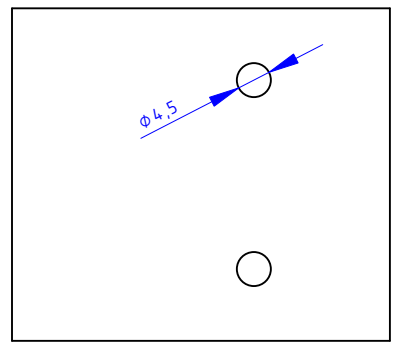
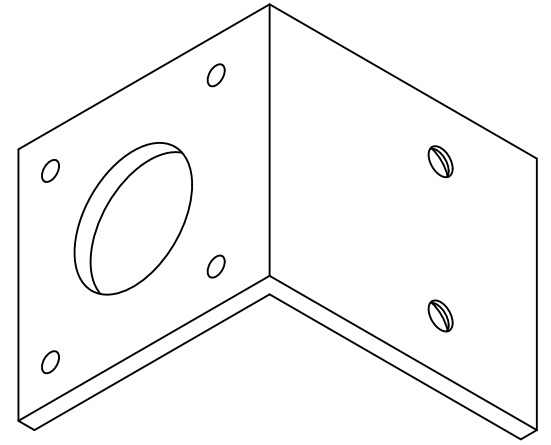
3

2

2

1

1



DESIGNED BY: K. Wicker		Super Polaris Montierung AVL		G	—
DATE: 4.12.2022		Winkel		F	—
SIZE A4				E	—
				D	—
SCALE	WEIGHT (kg)	DRAWING NUMBER	SHEET	C	—
Scale	Weight	Drawing number	Sheet	B	—
This drawing is our property; it can't be reproduced or communicated without our written consent.				A	—



F

E

D