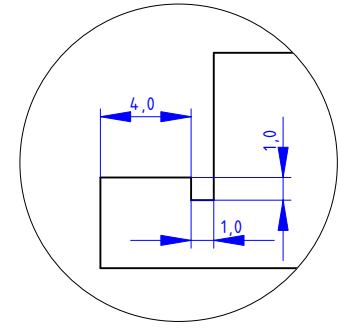
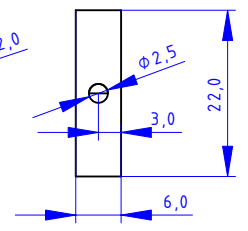
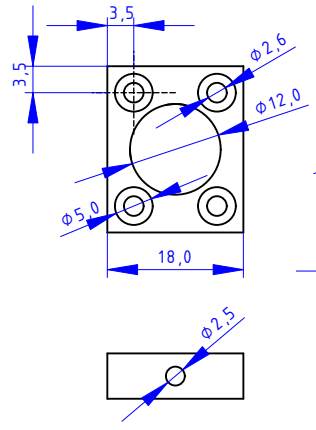


1 S72 Ringschwalbe



2 M68-Anschluss



DESIGNED BY: <b>K. Wicker</b>		<b>M68-S70 OAG</b>		G	—
DATE: <b>05.03.2023</b>		<b>Grundkörper</b>		F	—
SIZE <b>A4</b>				E	—
SCALE <b>1:1</b>	WEIGHT (kg) -	DRAWING NUMBER -	SHEET <b>1/2</b>	D	—
This drawing is our property; it can't be reproduced or communicated without our written consent.				C	—
				B	—
				A	—

